



173 Flanders Road  
 Westborough, MA 01581  
 ph 888-467-2836  
 fax 877-297-2836

*Innovations in plumbing and heating . . .*

## Multi-Function Circulator Flange less Purge

Sizes: 3/4" - 1 1/2" in Sweat or IPS

### Description:

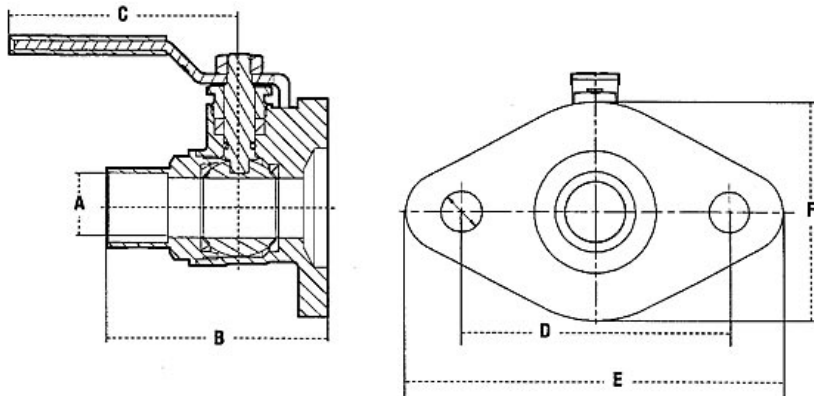
Multi-Function Circulator Flange valves are designed to isolate circulator pumps for easy pump change out or repair.

### Features:

- Brass body and flange
- Ball valve design
- O-ring seal
- Supplied with lever handle, bolts, and gasket
- PTFE seats
- Extended body for soldering
- Provides operation and isolation mode

**Models**  
 CMFCFLP and  
 IPSMFCFLP

Pressure - 400 PSI WOG



MODEL	DIMENSIONS					
	A IN.	B IN.	C IN.	D IN.	E IN.	F IN.
<b>SWEAT:</b>						
34CMFCFLP - 3/4"	3/4"	3 1/4"	3"	3 3/16"	4 1/16"	2 3/4"
1CMFCFLP - 1"	1"	3 9/16"	3"	3 3/16"	4 1/16"	2 3/4"
114CMFCFLP - 1 1/4"	1 1/4"	4"	3"	3 3/16"	4 1/16"	2 3/4"
112CMFCFLP - 1 1/2"	1 1/2"	4 5/8"	3"	3 3/16"	4 1/16"	2 3/4"
<b>IPS:</b>						
34IPSMFCFLP - 3/4"	3/4"	3 1/16"	3"	3 3/16"	4 1/16"	2 3/4"
1IPSMFCFLP - 1"	1"	3 3/8"	3"	3 3/16"	4 1/16"	2 3/4"
114IPSMFCFLP - 1 1/4"	1 1/4"	3 1/2"	3"	3 3/16"	4 1/16"	2 3/4"
112IPSMFCFLP - 1 1/2"	1 1/2"	3 13/16"	3"	3 3/16"	4 1/16"	2 3/4"